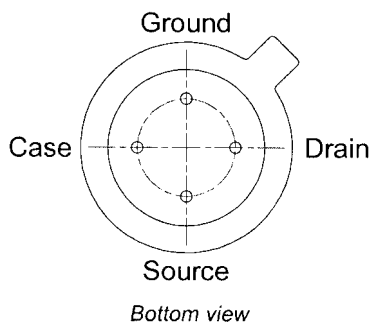
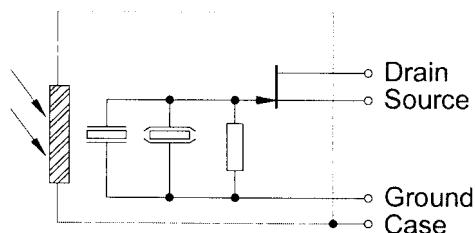


LIE-216-X002

1.4 x 1.0 mm² pyroelectric IR detector, thermal compensated
potential-free TO18 housing, special design Andros

Element size / type	1.4x1.0 mm ² lithium-tantalate with black layer
Aperture	ø2.3
Gate resistor	75 GOhm ±10%
Electrical time constant	3.5s
Thermal time constant	150ms
Polarity	positive signal by positive IR flux change
Responsivity {500K, 10Hz, 25°C, without window}	> 450 V/W
Responsivity {500K, 10Hz, 25°C, window included}	typical 12.5 V/W
Noise density {10Hz, BW 1Hz, 25°C}	< 250 nV/Hz ^{1/2}
Detectivity {500K, 10Hz, 1Hz, 25°C, without window}	>2.2*10 ⁸ cmHz ^{1/2} /W
Detectivity {500K, 10Hz, 1Hz, 25°C, window included}	typical 1.0*10 ⁷ cmHz ^{1/2} /W
Offset voltage {I _{Dopt} =10-100µA; 25°C}	0.4 ... 1.5 V
U _{DSmax} @ I _{Dopt} =10-100µA	18V
Operating / Storage temperature	-25 ... +85°C
IR window	WBP 3.0 - 3.6µm (short) on Quartz

Connection diagram:

© InfraTec GmbH, July 25th 2006

InfraTec GmbH
Infrarotsensorik und Messtechnik
Gostritzer Straße 61 – 63
01217 Dresden / Germany

represented by:

InfraTec infrared LLC
530 Means Street, Suite 120
Atlanta, GA 30318, USA

E-Mail: sensor@InfraTec.de
<http://www.InfraTec.de>

Fon: +1 877-pyros4u
Fax: +1 877-389-2668
E-Mail: sensor@InfraTec.de
<http://www.InfraTec.de>

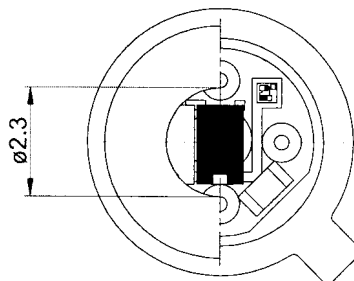
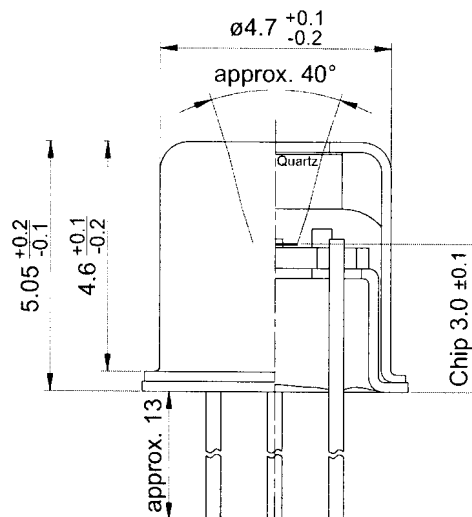
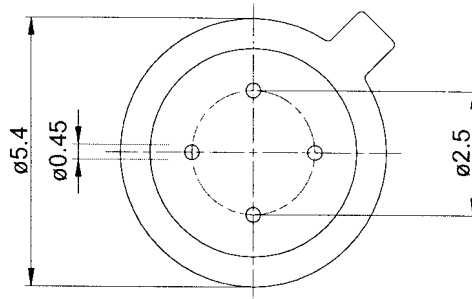
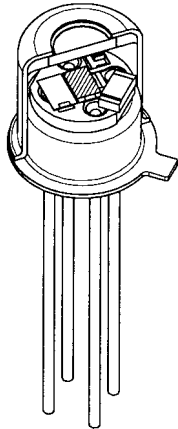
LIE-216-X002

1.4 x 1.0 mm² pyroelectric IR detector, thermal compensated
potential-free TO18 housing, special design Andros

InfraTec Part number: S81047

Description: LIE-216-X002

single element, area 1.4x1.0mm², thermal compensation; for voltage mode; Special design Andros (Part# 380120-000RevA dated 07/19/2003), custom-designed WBP 3.0-3.6µm [391125-002 Rev.B]



represented by:

InfraTec GmbH
Infrarotsensorik und Messtechnik
Gostritzer Straße 61–63
01217 Dresden / Germany

E-Mail: sensor@InfraTec.de
<http://www.InfraTec.de>

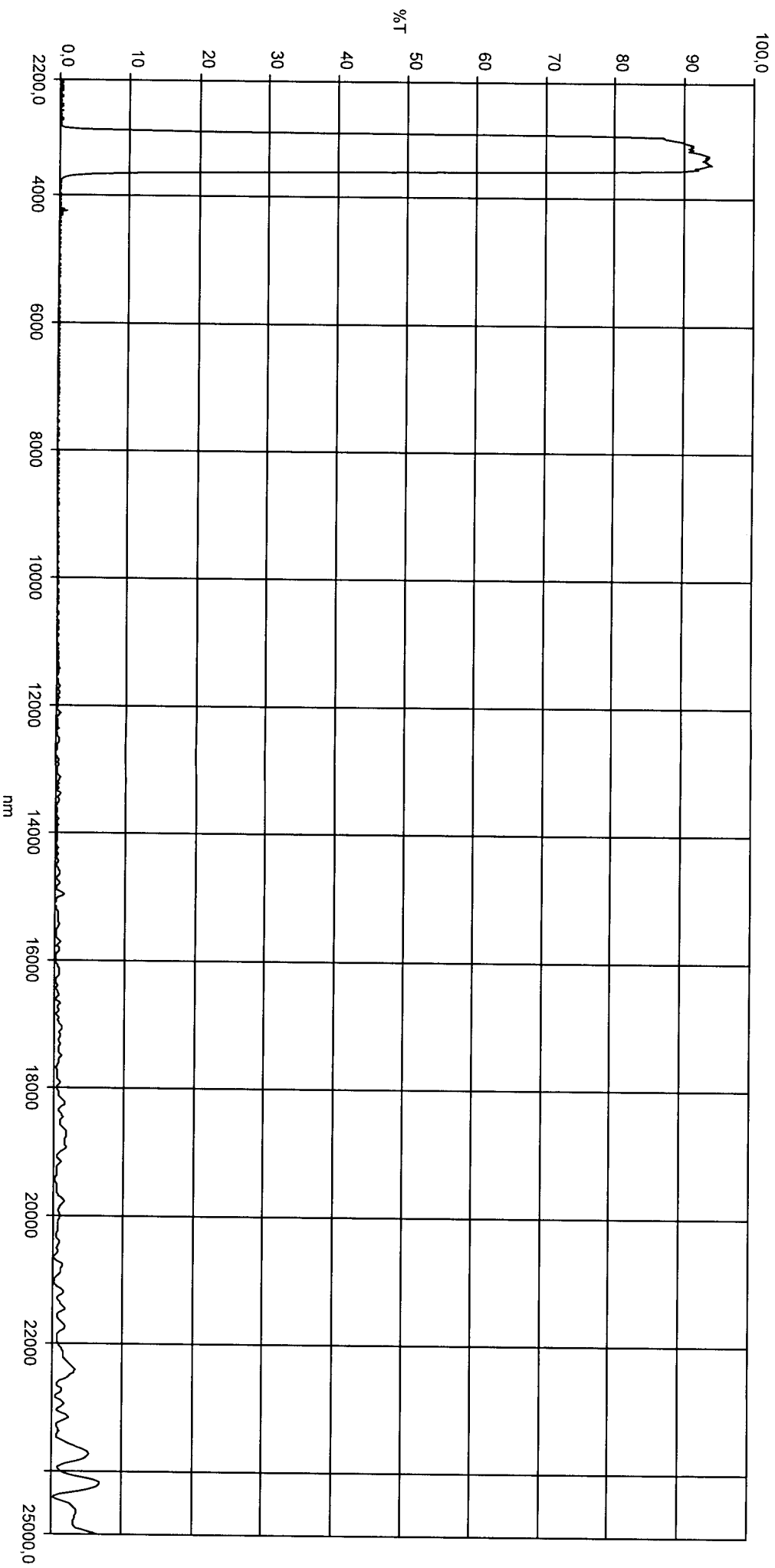
InfraTec infrared LLC
530 Means Street, Suite 120
Atlanta, GA 30318, USA

Fon: +1 877-pyros4u
Fax: +1 877-389-2668
E-Mail: sensor@InfraTec.de
<http://www.InfraTec.de>

Transmission

Description: short (BP 3.0 - 3.6µm)

Date: 06/06/08
Time: 09:39:42



Spectrum Pathname: C:\PEL_DATA\SPECTRA\05980.SP
Date Created: Fri Jun 06 09:10:12 2008

Analyst: InfraTec - 05980

Data Type: PE IR SPECTRUM
Accumulations: 30
Resolution: 4.00 cm⁻¹